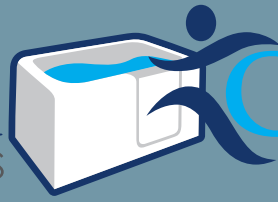


CUSTOM CARE
WALK-IN TUBS



ENJOY

A Safe and Relaxing Soak Spa
Right In Your Home

Inside CUSTOM CARE WALK-IN TUBS

Custom Care designs and manufactures a complete line of



premium quality walk-in Bathtubs, that are ideal for people with limited mobility, the disabled and people with pain such as arthritis, stress and other debilitating conditions. American Tub inspiration behind the design of every walk in bathtub is luxurious, safety and functionality. Our brand is made of sturdy fiberglass, and beautiful gel coat shells, manufactured utilizing premium materials, advanced methods and adherence to strict quality guidelines to create a durable, high gloss finish that is not only beautiful but are easy to

clean. Before any Walk-in tub leaves our factory, we perform a variety of tests and careful inspection of the frame, gel coat finish, overall construction, and three specific water tests. Once the bath tub has passed all quality assurance points it is signed off by a quality assurance specialist and carefully packaged and shipped.

ENJOY COMPLETE RELAXATION

Easy and Safe Access

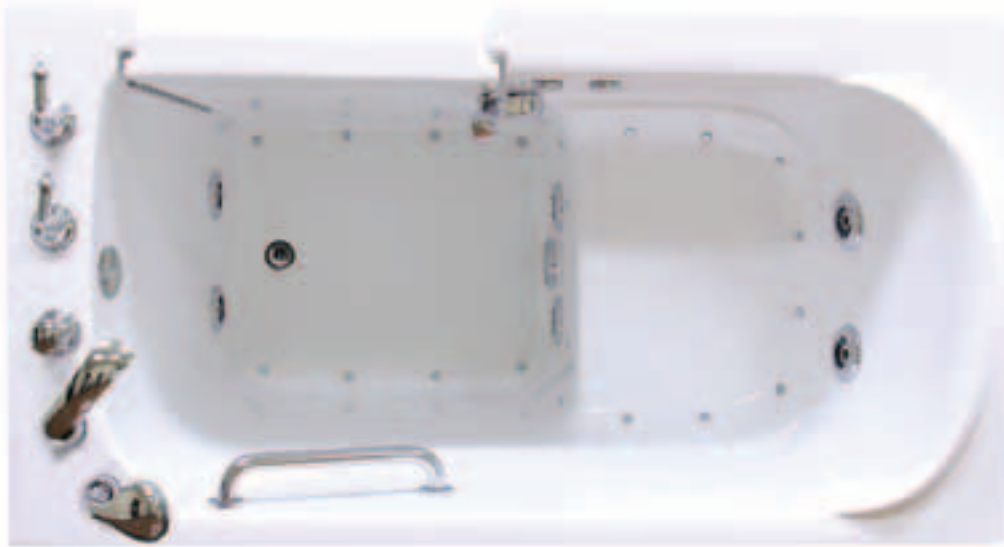


Soaker baths are perfect for relaxing muscles and relieving pressure on nerves. It also boosts circulation and accelerates the body's natural healing process. It's used to promote relaxation, release accumulated stress, and gently stretch connective tissues. Hydro therapeutic massage is delivered in our walk in tubs through an intricate and Powerful system of jets and or air massage system.

Our walk-in tubs are designed twice as deep or more as the normal bathtub, to give you that full body soak. The built-in seat providing a comfortable resting place and it helps you get in and out of the tub. Fill up the tub with warm water and experience a effortless soothing comfort.

HIGHEST STANDARD
WALK IN SOAKER TUBS
AIR MASSAGE SYSTEMS
HYDRO MASSAGE SYSTEMS
DUAL MASSAGE SYSTEMS

Our Tubs includes waste and overflow assembly as well as the faucet with hand held shower head.



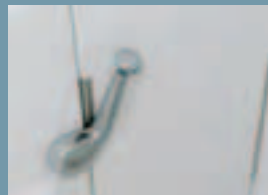
Waste & Overflow

Easy drain release.



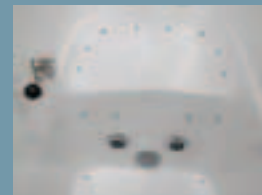
Door Drain

A critical part & UPC code require ; water that may leak around the door seal will be captured in the Secondary Drain. The excess water will then be directed to the bath drain.



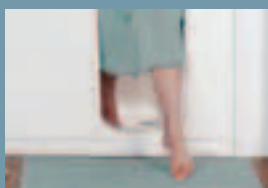
Easy Grip Door Lock

Ergonomically shaped design and strategic placement allows you to lower and raise the latch with ease.



Built-in Seat

The comfort seat is 17" high. Which follows ADA (American Disability Act) standard height in our bathtubs. Allowing ease of getting up and sitting down. Anti slip.



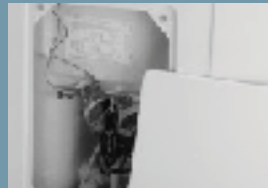
Low Threshold

Allows you to easily and safely enter and exit the tub without discomfort



Angled Grab Bar

Providing you the ease of sitting or standing with the least amount of effort



Access Panels

Cosmetically perfect and also provides easier installation and service



Extension Panel

Our tub has the ability to extend to a perfect fit, allowing standard and custom installation

BUILT WITH HIGHEST STANDARD

Our tubs are made with beautiful finish and lifetime of worry-free use



Motor Placement

Motor mounting platform is located under each tub and behind the access panel for ease of service and maintenance



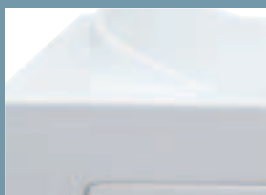
Adjustable legs

Adjustable leveling legs: New design 6 adjustable legs under the tub to provide stability of the tub. Fast & Easy leveling with only one hand.



Durable Frame

Durable Frame: Our tubs use high quality stainless steel to ensure durability and long lasting with Life Time Guarantee



Gel Coat/Fiber Glass Certified Shell

Three premium gel-coats. 100% Hand sprayed fiberglass to prevent air pockets from forming insuring greater durability



True 2 inch fast flow drain

Allows the tub to drain in only 80 seconds



Door & Door seal

Intelligently designed & constructed. NO leaks ever, life time guaranty



Controls

Pneumatic push control or electronic console panel with touch keypad

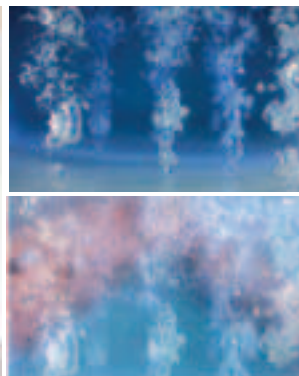
Systems

Choose the right fit for you and your family



AIR MASSAGE

This system features 20 individual air jets placed around the tub. These jets send air bubbles that cling to the skin to promote circulation. An added benefit with air-jets is that bath salts and oils can be used.

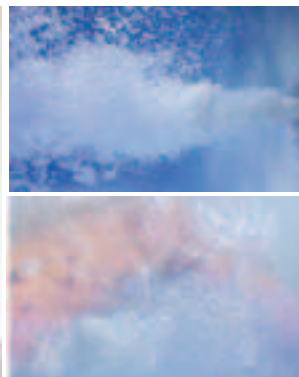


SYSTEM INCLUDES

- Twenty (20) brass chrome air jets
- 110V-120V. Standard Plug-In, 1hp Air Pump (UL approval)
- Pneumatic push control in chrome

HYDRO MASSAGE

6 or 10 Jets provide a more vigorous, focused massage as water sprays out of the jets which are strategically placed throughout your tub to hit specific areas such as your neck, shoulders, back, arms, hips, legs and feet.

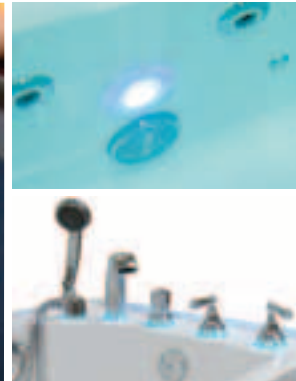


SYSTEM INCLUDES

- 6 or 10 brass chrome power water jets
- 110V-120V. Standard Plug-In, 1hp Air Pump (UL certified)
- Pneumatic push control or in chrome

CHROMATHERAPY

It is used to balance each person's physical, spiritual, mental and emotional energy. With our LED lighting designs you can create an ideal relaxing environment.



SYSTEM INCLUDES

- 9-LED lights strategically placed in the tub
- Combination of 7 colors
- Choices of 21 blended colors to help you release stress



AROMATHERAPY

Use it to for improved physical, mental, and emotional well-being of your central nervous system. Just a little drop when combined with the warm bath will rejuvenate your both body and mind.



Electronic console unit with touch keypad controls

- Hydro
- Air massage
- Ozone
- Chromathrapy
- FM Radio volume and turns
- LED screen shows water temperatures
- Memory for presets



OZONE SANITIZER

Created from the oxygen we breathe, Ozone gas is a powerful sanitizer that is known to kill disease-causing microorganisms. This Ozone gas than flows through the air system piping and out through the air jets disinfecting the system while you bath.



IN-LINE HEATER

Designed for the pressure side of the bathtub pump and it has a built in internal pressure switch to control heater operation. Important: bathtub heaters will only maintain the water temperature that is put into the tub. They will not increase the water temperature.



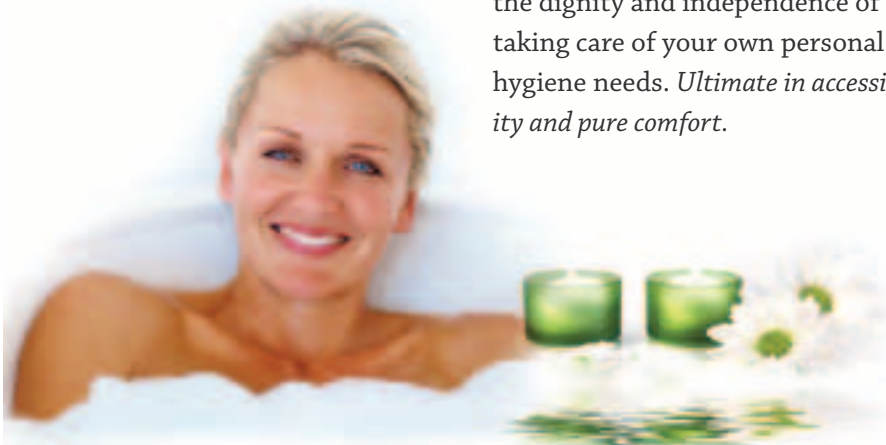
SYSTEM INCLUDES

- 104° preset thermostat
- Intelligent High Limit Switch
- Heater "On" Light



Details of our TUBS

We offer well fit design walk-in tub that empowers those in need with the dignity and independence of taking care of your own personal hygiene needs. *Ultimate in accessibility and pure comfort.*



All of our tubs comes with the following:

- High Quality Chrome Fixtures
- Easy To Operate Drain Release
- No Leak Door Sealing System
- Slip Resistant Floor
- 17" Contoured Seating
- Safety Secondary Door Drain
- Removable Access Panels
- Safety Grab Bar
- Stainless Steel Frame
- Adjustable Height Legs
- Wall extension for 60" opening
- Optional Therapy Systems

INDEPENDENCE 26x53

It is constructed of the highest grade fiberglass composites with a triple gel coat finish for beauty and durability. CARE 2653 is perfect for small bathrooms.

Tub Shell - High gloss triple gel coat finished

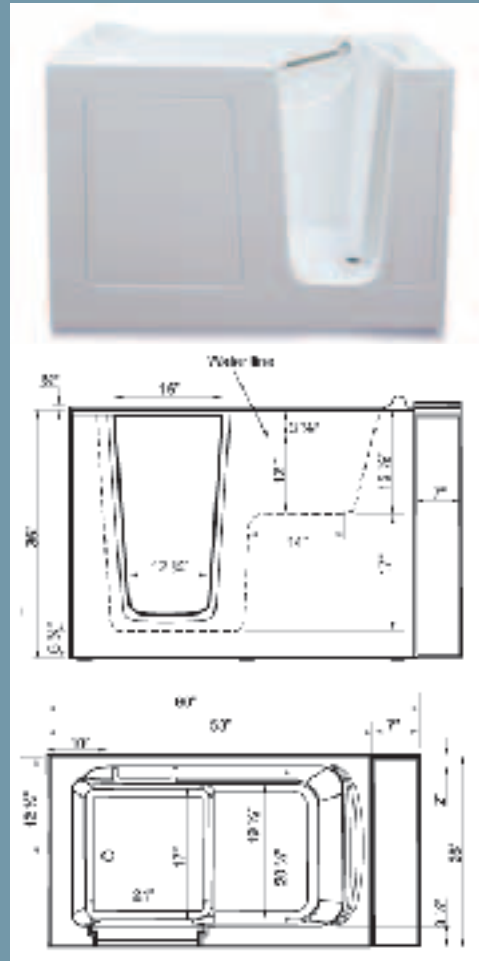
- High quality fiberglass material
- Heavy duty fiberglass reinforced
- Excellent color uniformity
- Durable gel coat surface
- Easy-to-clean high gloss finish

Available System / Parts

- Soaking • Hydro Massage • Air Massage • Dual Massage
- Chromatherapy system • Aromatherapy
- Faucets • Water In-line heater • Headrest Pillow • Ozone sterilizer

SPECIFICATIONS:

AVAILABLE COLORS	WHITE / BISCUIT		
DOOR SWING	INWARD.		
DOOR SIDE	LEFT OR RIGHT	DOOR OPENING	16"
SEAT (W)X(H)inch	20.5X17X14	SEAT CONTOURED	YES
SAFETY GRAB BAR	YES		
NON SLIP FLOOR	YES		
FAUCET DECK	YES		
WALL EXTENSION KIT TO FIT IN STANDARD 60" OPENING			
WATER CAPACITY	45 GAL		
DIMENSIONS (inch)	26(W)X53(L)X36(H)	APPROX. SHIPPING WEIGHT	225 Lb



INDEPENDENCE 30x48

It is constructed of high grade fiberglass composites with a triple gel coat finish for beauty and durability.

Tub Shell - gel coat fiberglass

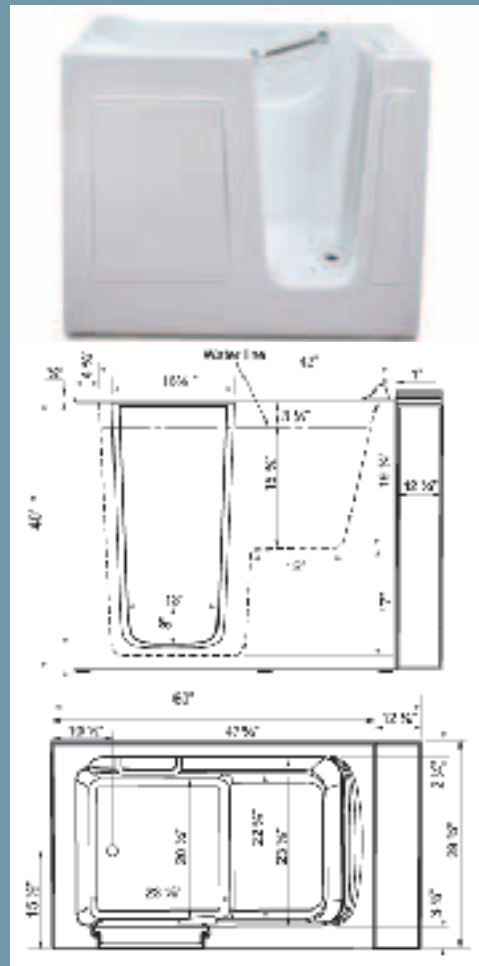
- High quality fiberglass material
- Excellent color uniformity
- Durable gel coat surface
- Easy-to-clean high gloss finish

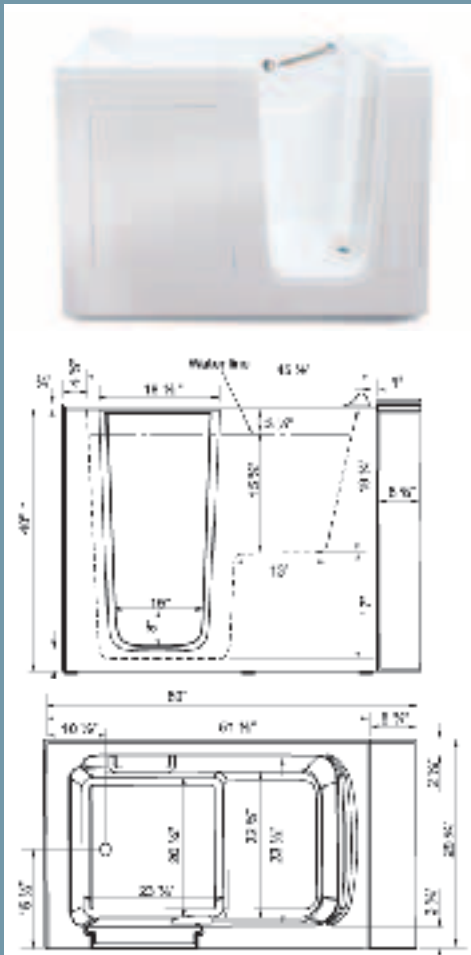
Available System / Parts

- Soaking • Hydro Massage • Air Massage • Dual Massage
- Chromatherapy system • Aromatherapy
- Faucets • Water In-line heater • Headrest Pillow • Ozone sterilizer

SPECIFICATIONS:

AVAILABLE COLORS	WHITE / BISCUIT		
DOOR SWING	INWARD.		
DOOR SIDE	LEFT OR RIGHT	DOOR OPENING	16"
SEAT (W)X(H)X(D)inch	23X17X13	SEAT CONTOURED	YES
SAFETY GRAB BAR	YES		
NON SLIP FLOOR	YES		
FAUCET DECK	YES		
WALL EXTENSION KIT TO FIT IN STANDARD 60" OPENING			
WATER CAPACITY	57 GAL		
DIMENSIONS (inch)	29(W)X48(L)X39(H)		





INDEPENDENCE 30x52

It is constructed of the highest grade fiberglass composites with a triple gel coat finish for beauty and durability.

Tub Shell - gel coat fiberglass

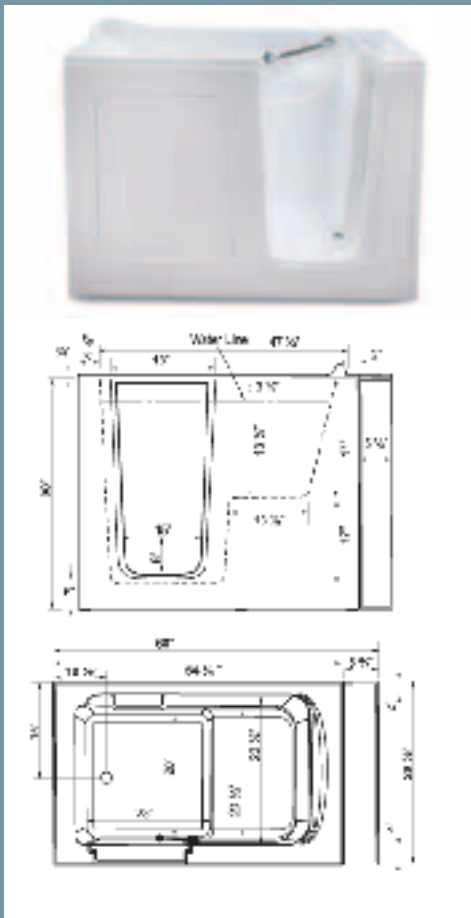
- High quality fiberglass material
- Excellent color uniformity
- Durable gel coat surface
- Easy-to-clean high gloss finish

Available System / Parts

- Soaking • Hydro Massage • Air Massage • Dual Massage
- Chromatherapy system • Aromatherapy
- Faucets • Water In-line heater • Headrest Pillow • Ozone sterilizer

SPECIFICATIONS:

AVAILABLE COLORS	WHITE / BISCUIT		
DOOR SWING	INWARD.		
DOOR SIDE	LEFT OR RIGHT	DOOR OPENING	18"
SEAT (W)X(H)X(D)inch	23X17X13.5	SEAT CONTOURED	YES
SAFETY GRAB BAR	YES		
NON SLIP FLOOR	YES		
FAUCET DECK	YES		
WALL EXTENSION KIT TO FIT IN STANDARD 60" OPENING			
WATER CAPACITY	65 GAL		
DIMENSIONS (inch)	30(W)X53(L)X36(H)		



INDEPENDENCE 30x54

It is constructed of the high highest quality industrial strength acrylic for beauty and durability. CARE 3054 is perfect for new construction and or retro fitting because of its industry standard size.

Tub Shell - gel coat fiberglass

- High quality fiberglass material
- Excellent color uniformity
- Durable gel coat surface
- Easy-to-clean high gloss finish

Available System / Parts

- Soaking • Hydro Massage • Air Massage • Dual Massage
- Chromatherapy system • Aromatherapy
- Faucets • Water In-line heater • Headrest Pillow • Ozone sterilizer

SPECIFICATIONS:

AVAILABLE COLORS	WHITE / BISCUIT		
DOOR SWING	INWARD.		
DOOR SIDE	LEFT OR RIGHT	DOOR OPENING	18"
SEAT (W)X(H)X(D)inch	23X17X14	SEAT CONTOURED	YES
SAFETY GRAB BAR	YES		
NON SLIP FLOOR	YES		
FAUCET DECK	YES		
WALL EXTENSION KIT TO FIT IN STANDARD 60" OPENING			
WATER CAPACITY	57 GAL		
DIMENSIONS (inch)	30(W)X54(L)X38(H)		

INDEPENDENCE 32x60

It is constructed of the highest quality industrial strength acrylic for beauty and durability. CARE 3260 is perfect for new construction and or retro fitting because of its industry standard size.

Tub Shell - gel coat fiberglass

- High quality fiberglass material
- Excellent color uniformity
- Durable gel coat surface
- Easy-to-clean high gloss finish

Available System / Parts

- Soaking • Hydro Massage • Air Massage • Dual Massage
- Chromatherapy system • Aromatherapy
- Faucets • Water In-line heater • Headrest Pillow • Ozone sterilizer

SPECIFICATIONS:

AVAILABLE COLORS	WHITE		
DOOR SWING	INWARD.		
DOOR SIDE	LEFT OR RIGHT	DOOR OPENING	18"
SEAT (W)X(H)X(D)inch	20.5X17X13.5	SEAT CONTOURED	YES
SAFETY GRAB BAR	YES		
NON SLIP FLOOR	YES		
FAUCET DECK	YES		
WALL EXTENSION KIT TO FIT IN STANDARD 60" OPENING			
WALL TILES FLANGES	ALL SIDES		
WATER CAPACITY	75 GAL		
DIMENSIONS (inch)	32(W)X60(L)X36(H)		

INDEPENDENCE 35x55

It is constructed of the highest grade fiberglass composites with a triple gel coat finish for beauty and durability. CARE 3555 has largest capacity.

Tub Shell - gel coat fiberglass

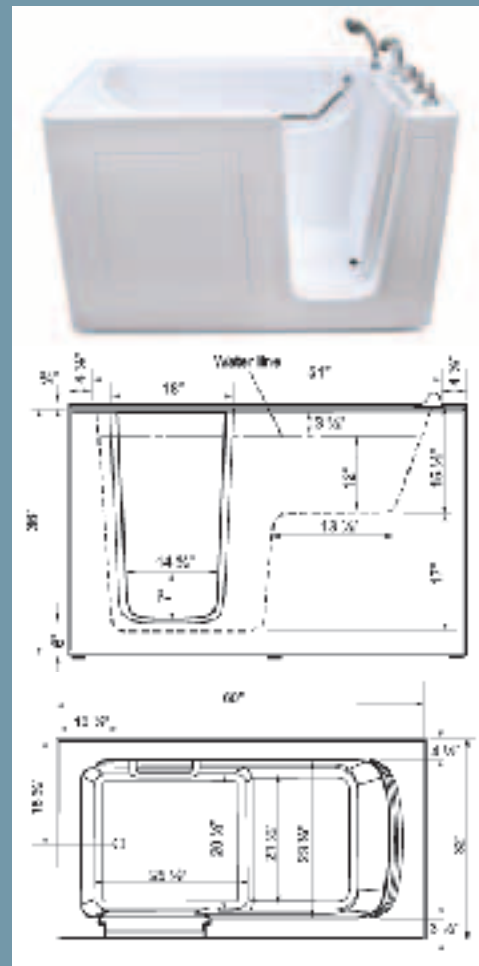
- High quality fiberglass material
- Excellent color uniformity
- Durable gel coat surface
- Easy-to-clean high gloss finish

Available System / Parts

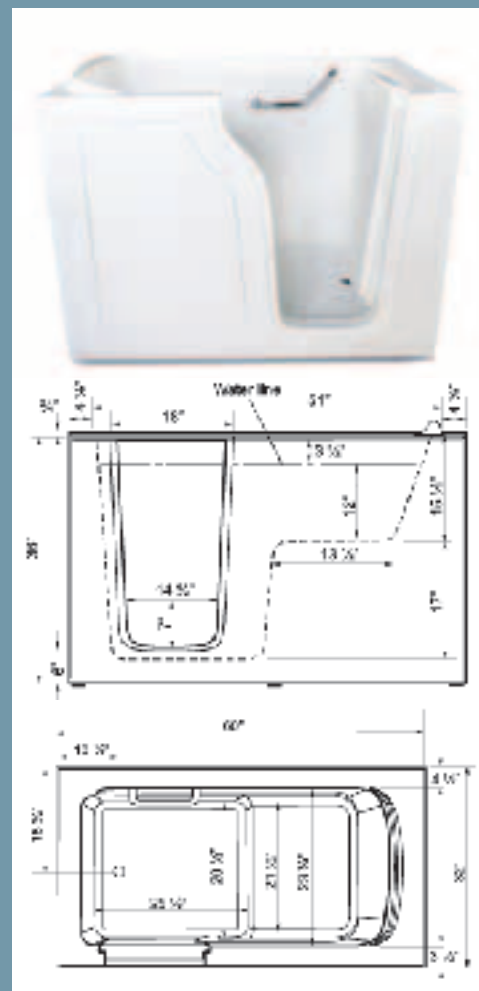
- Soaking • Hydro Massage • Air Massage • Dual Massage
- Chromatherapy system • Aromatherapy
- Faucets • Water In-line heater • Headrest Pillow • Ozone sterilizer

SPECIFICATIONS:

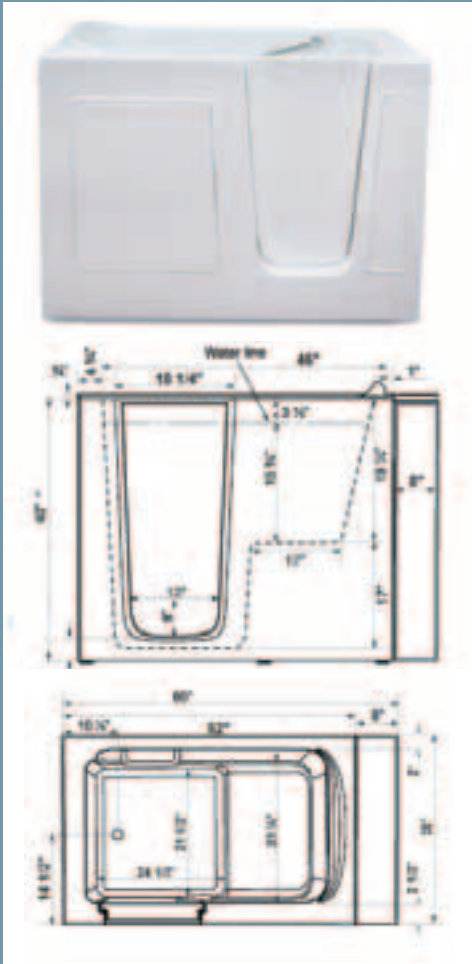
AVAILABLE COLORS	WHITE / BISCUIT		
DOOR SWING	INWARD.		
DOOR SIDE	LEFT OR RIGHT	DOOR OPENING	24"
SEAT (W)X(H)X(D)inch	30.5X17X15.5	SEAT CONTOURED	YES
SAFETY GRAB BAR	YES		
NON SLIP FLOOR	YES		
FAUCET DECK	YES		
WALL EXTENSION KIT TO FIT IN STANDARD 60" OPENING			
WATER CAPACITY	115 GAL		
DIMENSIONS (inch)	35.5(W)X55(L)X40(H)		



Walk-in Tubs INDEPENDENCE 32x60



Walk-in Tubs INDEPENDENCE 35x55



INDEPENDENCE 28x52

This tub has low 5" threshold

Tub Shell - gel coat fiberglass

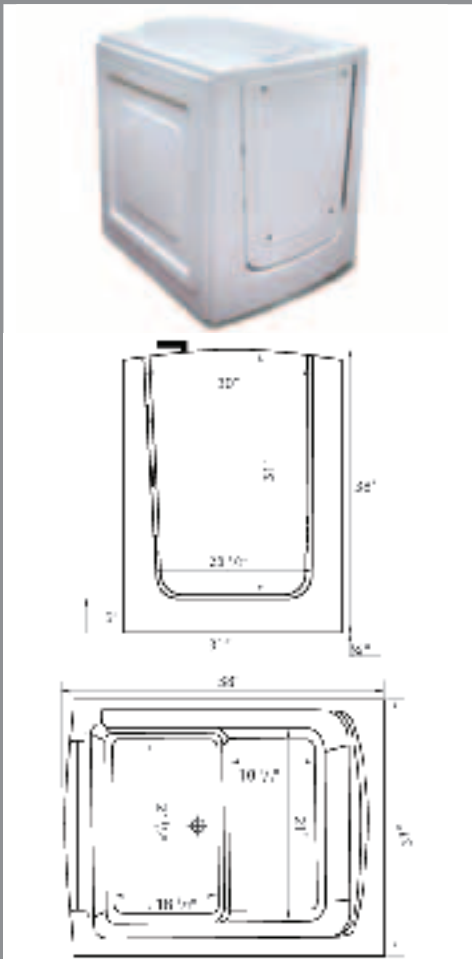
- High quality fiberglass material
- Excellent color uniformity
- Durable gel coat surface
- Easy-to-clean high gloss finish

Available System / Parts

- Soaking • Hydro Massage • Air Massage • Dual Massage
- Chromatherapy system • Aromatherapy
- Faucets • Water In-line heater • Headrest Pillow • Ozone sterilizer

SPECIFICATIONS:

AVAILABLE COLORS	WHITE / BISCUIT		
DOOR SWING	INWARD.		
DOOR SIDE	LEFT OR RIGHT	DOOR OPENING	16"
SEAT (W)X(H)X(D)inch	19.5X17X14	SEAT CONTOURED	YES
SAFETY GRAB BAR	YES		
NON SLIP FLOOR	YES		
FAUCET DECK	YES		
WALL EXTENSION KIT TO FIT IN STANDARD 60" OPENING			
WATER CAPACITY	45 GAL		
DIMENSIONS (inch)	26(W)X51(L)X36(H)		



FREEDOM 31x38

Great for replacing existing shower stall or mobile home
Free Standing / Compact size

Tub Shell - gel coat fiberglass

- High quality fiberglass material
- Excellent color uniformity
- Durable gel coat surface
- Easy-to-clean high gloss finish

Available System / Parts

- Soaking • Hydro Massage • Air Massage • Dual Massage
- Chromatherapy system • Aromatherapy
- Faucets • Water In-line heater • Headrest Pillow • Ozone sterilizer

SPECIFICATIONS:

AVAILABLE COLORS	WHITE		
DOOR SWING	OUTWARD.		
DOOR SIDE	LEFT OR RIGHT	DOOR OPENING	21"
SEAT (W)X(H)X(D)inch	24X17X10.5	SEAT CONTOURED	YES
SAFETY GRAB BAR	NO		
NON SLIP FLOOR	YES		
WALL EXTENSION KIT TO FIT IN STANDARD 60" OPENING			
WATER CAPACITY	45 GAL		
DIMENSIONS (inch)	33(W)X38(L)X38(H)		

FREEDOM 30x52



With its outswing door this tub is ideal for both: step-in or wheel chair Slide-in access

Free Standing

Tub Shell - gel coat fiberglass

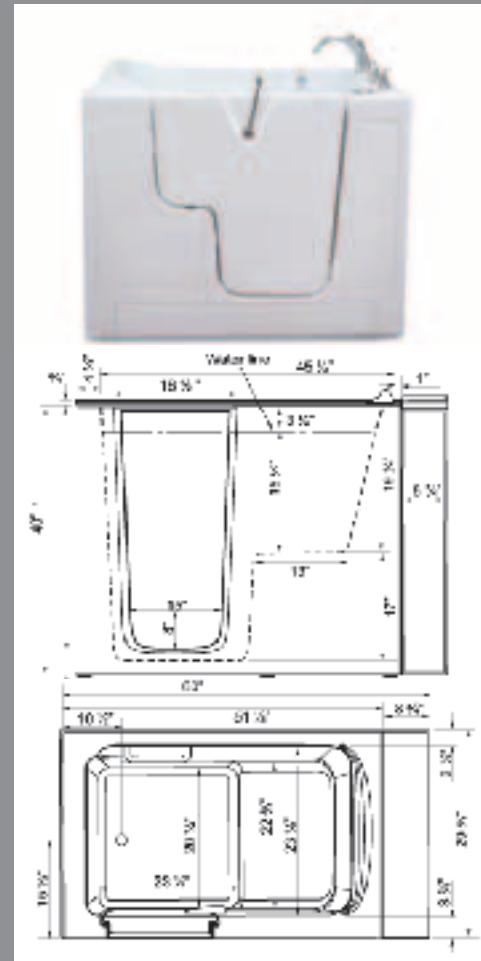
- High quality fiberglass material
- Excellent color uniformity
- Durable gel coat surface
- Easy-to-clean high gloss finish

Available System / Parts

- Soaking • Hydro Massage • Air Massage • Dual Massage
- Chromatherapy system • Aromatherapy
- Faucets • Water In-line heater • Headrest Pillow • Ozone sterilizer

SPECIFICATIONS:

AVAILABLE COLORS	WHITE / BISCUIT		
DOOR SWING	OUTWARD.		
DOOR SIDE	LEFT OR RIGHT	DOOR OPENING	28"
SEAT (W)X(H)X(D)inch	24X17X15.5	SEAT CONTOURED	YES
SAFETY GRAB BAR	YES		
NON SLIP FLOOR	YES		
FAUCET DECK	YES		
WALL EXTENSION KIT TO FIT IN STANDARD 60" OPENING			
WATER CAPACITY	70 GAL		
DIMENSIONS (inch)	30(W)X52(L)X40(H)		



Walk-in Tubs FREEDOM 30x52

FREEDOM 32x52



This is ideal for both: step-in or wheelchair Slide-in access

Free Standing *Bigger Is Better*

Tub Shell - gel coat fiberglass

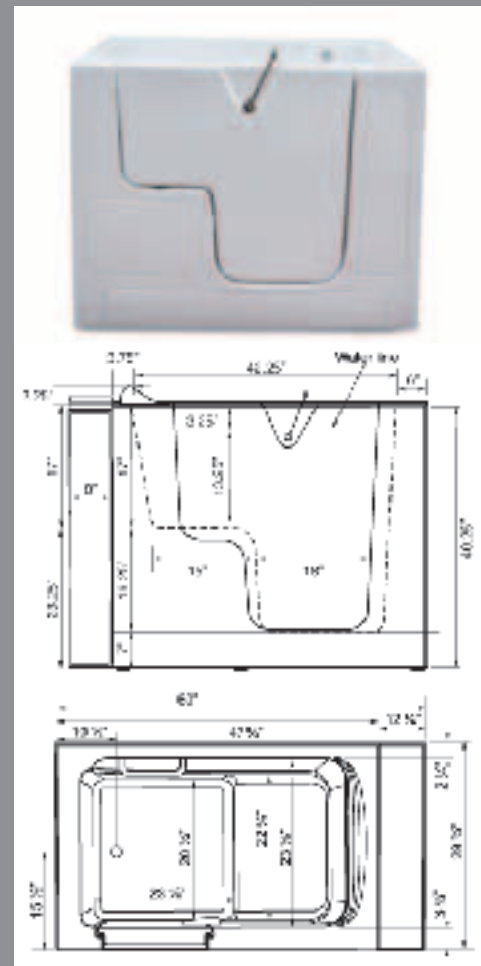
- High quality fiberglass material
- Excellent color uniformity
- Durable gel coat surface
- Easy-to-clean high gloss finish

Available System / Parts

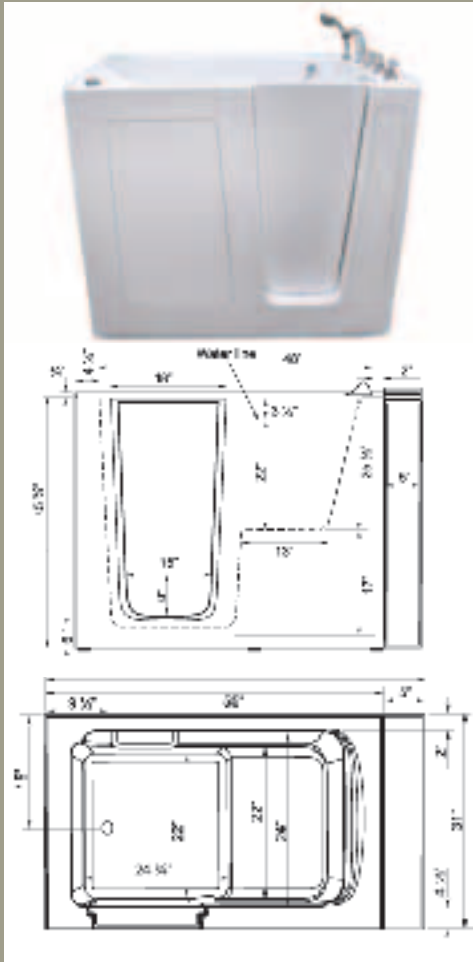
- Soaking • Hydro Massage • Air Massage • Dual Massage
- Chromatherapy system • Aromatherapy
- Faucets • Water In-line heater • Headrest Pillow • Ozone sterilizer

SPECIFICATIONS:

AVAILABLE COLORS	WHITE / BISCUIT		
DOOR SWING	OUTWARD.		
DOOR SIDE	LEFT OR RIGHT	DOOR OPENING	35"
SEAT (W)X(H)X(D)inch	26X17X15.5	SEAT CONTOURED	YES
SAFETY GRAB BAR	YES		
NON SLIP FLOOR	YES		
FAUCET DECK	YES		
WALL EXTENSION KIT TO FIT IN STANDARD 60" OPENING			
WATER CAPACITY	75 GAL		
DIMENSIONS (inch)	32(W)X52(L)X40(H)		



Walk-in Tubs FREEDOM 32x52



FREEDOM DEEP SOAKER 30x55

This tub is ideal for those who love *DEEP SOAKING*

Tub Shell - gel coat fiberglass

- High quality fiberglass material
- Excellent color uniformity
- Durable gel coat surface
- Easy-to-clean high gloss finish

Available System / Parts

- Soaking • Hydro Massage • Air Massage • Dual Massage
- Chromatherapy system • Aromatherapy
- Faucets • Water In-line heater • Headrest Pillow • Ozone sterilizer

SPECIFICATIONS:

AVAILABLE COLORS	WHITE / BISCUIT		
DOOR SWING	INWARD		
DOOR SIDE	LEFT OR RIGHT	DOOR OPENING	18.5"
SEAT (W)X(H)X(D)inch	24.5X17X14	SEAT CONTOURED	YES
SAFETY GRAB BAR	YES		
NON SLIP FLOOR	YES		
FAUCET DECK	YES		
WALL EXTENSION KIT TO FIT IN STANDARD 60" OPENING			
WATER CAPACITY	105 GAL		
DIMENSIONS (inch)	30(W)X55.5(L)X46.5(H)		

Accessories



5 PCS PREMIUM FAUCET

- Thermostatic Bath Mixer
- Safety lock at desire water temperature
- Jewel Arched Solid Brass Spout
- Fast Fill 3/4" Valve, 3/4" Ports
- Ceramic Disc Cartridges
- Quick Connect Spout Installation
- NPS Connections
- 18 GPM (Average) @ 60 PSI

5 PCS ROMAN FAUCET

- Jewel Arched Solid Brass Spout
- Fast Fill 3/4" Valve, 3/4" Ports
- Ceramic Disc Cartridges
- Quick Connect Spout Installation
- NPS Connections
- 18 GPM (Average) @ 60 PSI

5 PCS FRENCH FAUCET

- Jewel Arched Solid Brass Spout
- Fast Fill 3/4" Valve, 3/4" Ports
- Ceramic Disc Cartridges
- Quick Connect Spout Installation
- NPS Connections
- 18 GPM (Average) @ 60 PSI



4 PCS ROMAN FAUCET

- Jewel Arched Solid Brass Spout
- Fast Fill 3/4" Valve, 3/4" Ports
- Ceramic Disc Cartridges
- Quick Connect Spout Installation
- NPS Connections
- 18 GPM (Average) @ 60 PSI



SHOWER CURTAIN & ROD

ADA compliant Shower Curtain can be designed to fit any installation. These products are used in hospitals and provide optimal safety for the bather



NECK REST PILLOW

- Comfortable and elegant looks
- Two Colors: Black or White



SLIDER BAR FOR HAND-HELD

- 16" adjustable height
- Swivel hand shower holder
- Soap tray



WASTE OVER FLOW KIT

Complete with chrome trim kit.



LED LIGHTS ON FAUCET

- 9-LED lights strategically placed under the all 5 pieces faucet
- Combination of 7 colors
- Choices of 21 blended colors to help you release stress



WALL MOUNT SAFETY GRAB BAR



SAFETY GRAB BAR ANGLE



SAFETY GRAB BAR STRAIGHT



END DECOR PANEL



EXTENSION PANEL

CUSTOM CARE

WALK-IN TUBS



Exclusively offered by:

Specialty shop supplies for Walk In Safety Tubs

